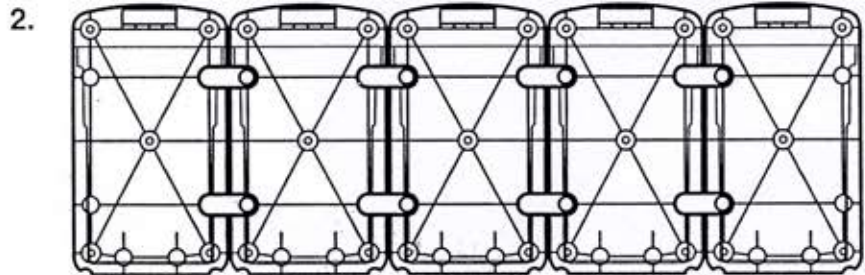
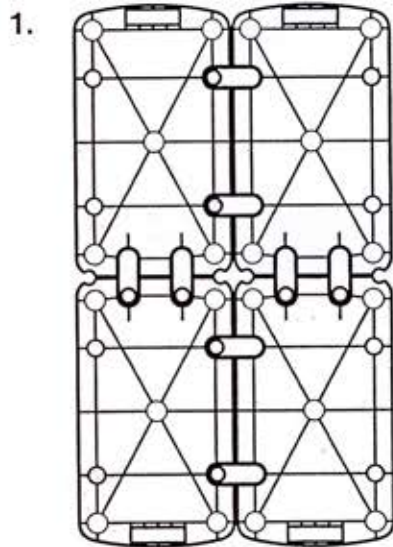


NEXUS™ 50

CONNECTOR INSTRUCTION LEAFLET

IMPORTANT NOTE: ENSURE THAT ALL RELEVANT PERSONNEL READ THESE INSTRUCTIONS PRIOR TO INSTALLATION



INCLUDED WITHIN THIS KIT ARE 8 OFF CONNECTOR STRIPS

Diagram 1 – Illustrates how 8 Connector strips can secure 4 Nexus 50 units together in a bank.

Diagram 2 – Illustrates how 8 off Connector strips can secure 5 Nexus 50 units together side by side.

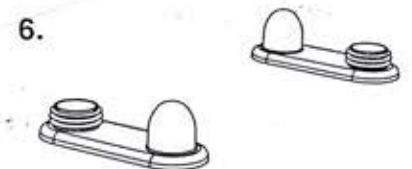
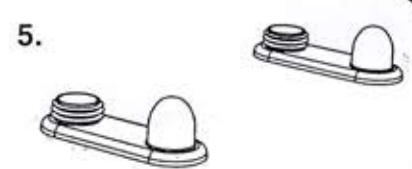
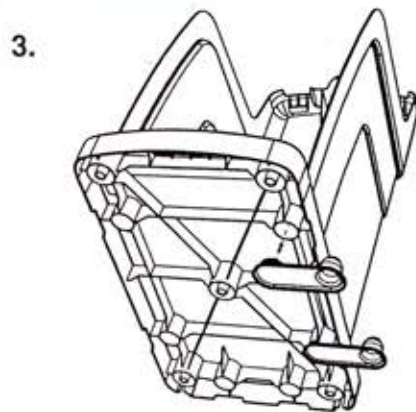


Diagram 3 – To attach Connector strip to the base of the Nexus 50 simply push fir tree into the bosses located on the underside of the unit near to the sides and rear (Connector to protrude through recess in unit).

Diagram 4 – To locate additional Nexus 50 units, align and slot bosses onto Connector Strip.

Diagram 5 – Connector Strips in this orientation for alignment and easy removal.

Diagram 6 – Connector Strips in this orientation for alignment and added security.

▪ A planned maintenance schedule of regular inspection is recommended, replacing components as necessary.

▪ Replacement components are available direct from GLASDON.

▪ GLASDON cannot be held responsible for claims arising from incorrect installation, unauthorised modifications or misuse of the product.

Issue 1 FEB. 2004 Stock no. c000/0265

© Copyright Feb. 2004

Glasdon reserve the right to alter specification without prior notice.

 **Glasdon** AND NEXUS™ ARE TRADEMARKS OR REGISTERED TRADEMARKS OF GLASDON GROUP OR IT'S SUBSIDIARIES IN THE U.K. AND OTHER COUNTRIES



Glasdon®

Glasdon U.K. Limited

Preston New Road
BLACKPOOL
Lancashire FY4 4UL

Tel: 01253 600 410

Fax: 01253 792 558

e-mail: sales@glasdon-uk.co.uk

web: www.glasdon.com